

CHUTE CONSTRUCTION

Chutes are fully factory assembled with all joints welded or lapped. There is one expansion slip joint per floor. All chutes have a flush interior and are assembled without bolts, rivets or clips protruding into the chute opening. Chutes are equipped with chute support clips pre-positioned at the factory to insure proper chute alignment. The intake door and floor frame dimensions are factory adjustable.

MATERIAL

Chutes are constructed of 16 gauge aluminized steel or optional stainless steel.

SIZES

The industry standard is 24" diameter, which also conforms to NFPA requirements. Other sizes are available upon request.

INTAKE DOORS

UL "B" labeled self closing intake doors are constructed entirely of type 304 stainless steel with stainless hinges. Each door is equipped with a chrome plated locking Tee handle with positive latching mechanism and rubber baffle.

VENTS

NFPA and most cities require a full-diameter vent through and minimum of 3' above the roof. Vent cap, storm collar and flashing are provided. Specify either standard flat or curb mount roof flashing. Optional vent sizes and details are available upon request.

FLUSHING HEAD

We furnish one 1/2" IPS brass flushing spray head, above the top intake door of each chute, complete with a female fitting. Piping valve and plumbing connections by others.

SPRINKLER SYSTEM

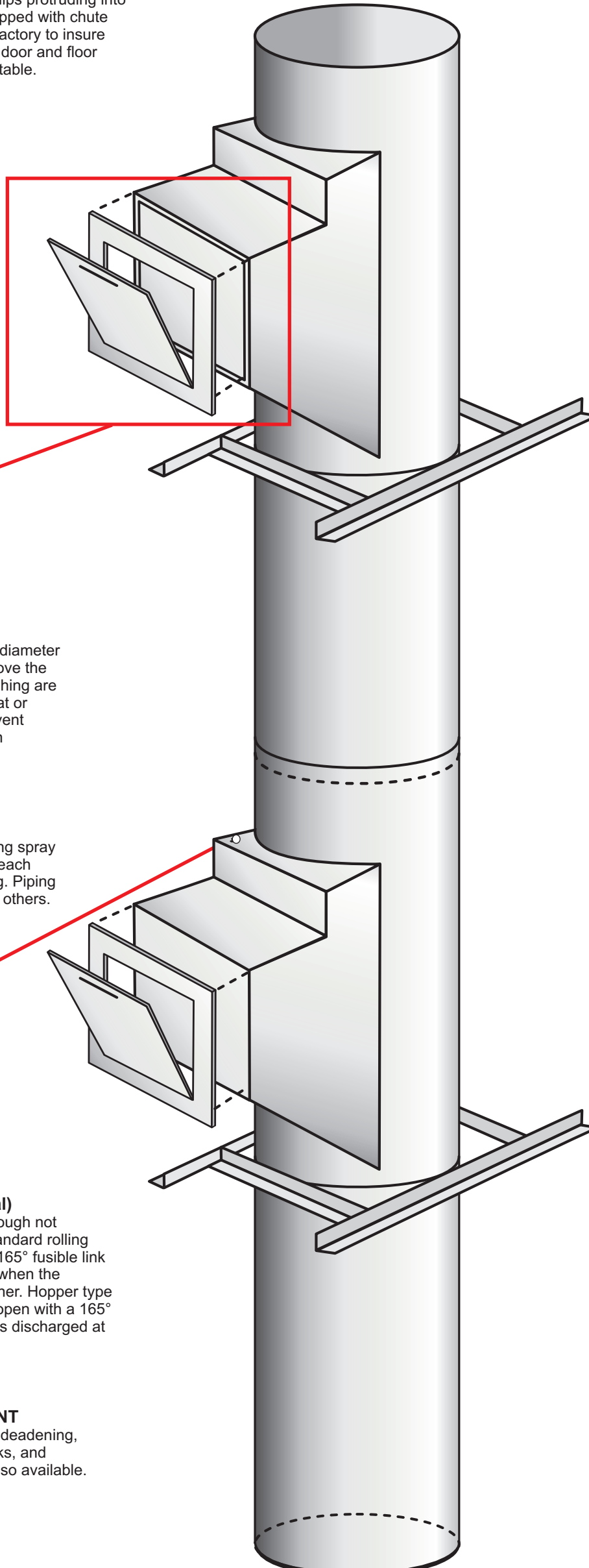
Fire sprinkler heads are included for the lowest, highest, and alternate floor levels or as otherwise required. Each sprinkler head is 165° UL approved 1/2" NPT with a 1/2" x 1" NPT coupling. Piping and connection performed by others.

DISCHARGE DOORS (optional)

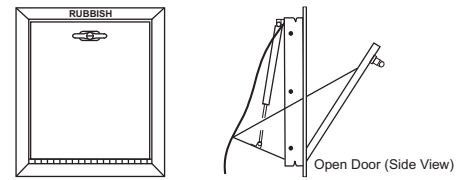
Discharge doors are available, although not required for all applications. The standard rolling discharge gate is held open with a 165° fusible link and may be used for trash or linen when the material drops directly into a container. Hopper type (linen) discharge assembly is held open with a 165° fusible link and is used when linen is discharged at 90° through a wall.

OTHER OPTIONAL EQUIPMENT

Optional equipment such as sound deadening, access doors, electric door interlocks, and automated recycling systems are also available.



TRASH CHUTE Intake Door

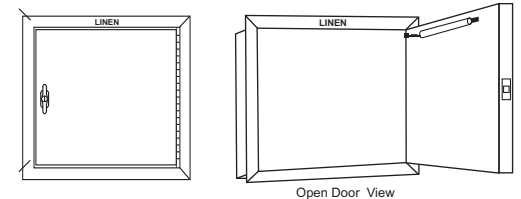


Doors are constructed entirely of type 304 stainless steel with stainless hinges. Doors are bottom hinged, self closing and self latching with a locking Tee handle. UL class B labeled: 1 1/2 hour fire rated with 30-minute temperature rise of 250° F. Door trim embossed "RUBBISH".

RECOMMENDED DOOR SIZES

Chute Size	Door Size W x H
24" Diameter Chute	15" x 18" Door
30" Diameter Chute	18" x 18" Door
36" Diameter Chute	21" x 18" Door

LINEN CHUTE Intake Door

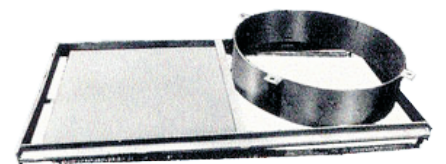


Doors are constructed entirely of type 304 stainless steel with stainless hinges. Doors are side hinged, self closing, and self latching with a locking Tee handle. UL class B labeled: 1 1/2 hour fire rated with 30-minute temperature rise of 250° F. Door trim embossed "LINEN".

RECOMMENDED DOOR SIZES

Chute Size	Door Size W x H
24" Diameter Chute	18" x 18" Door
30" Diameter Chute	21" x 21" Door
36" Diameter Chute	24" x 24" Door

TRASH CHUTE Discharge Door

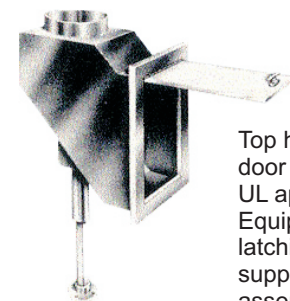


Horizontal rolling type discharge door assembly, required when chute discharges into an open container. Gravity rolling door held open with a UL approved 165° fusible link.

RECOMMENDED DOOR SIZES

Chute Size	Door Size W x H
24" Diameter Chute	26 1/2" x 50 1/2" Door
30" Diameter Chute	32 1/2" x 62 1/2" Door
36" Diameter Chute	38 1/2" x 74 1/2" Door

LINEN CHUTE Discharge Door



Top hinged stainless steel door panel held open with a UL approved 165° fusible link. Equipped with two positive latching handles, adjustable support legs, and drain assembly.

RECOMMENDED DOOR SIZES

Chute Size	Door Size W x H
24" Diameter Chute	18" x 18" Door
30" Diameter Chute	21" x 21" Door
36" Diameter Chute	24" x 24" Door